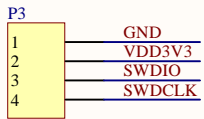
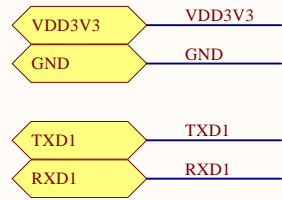
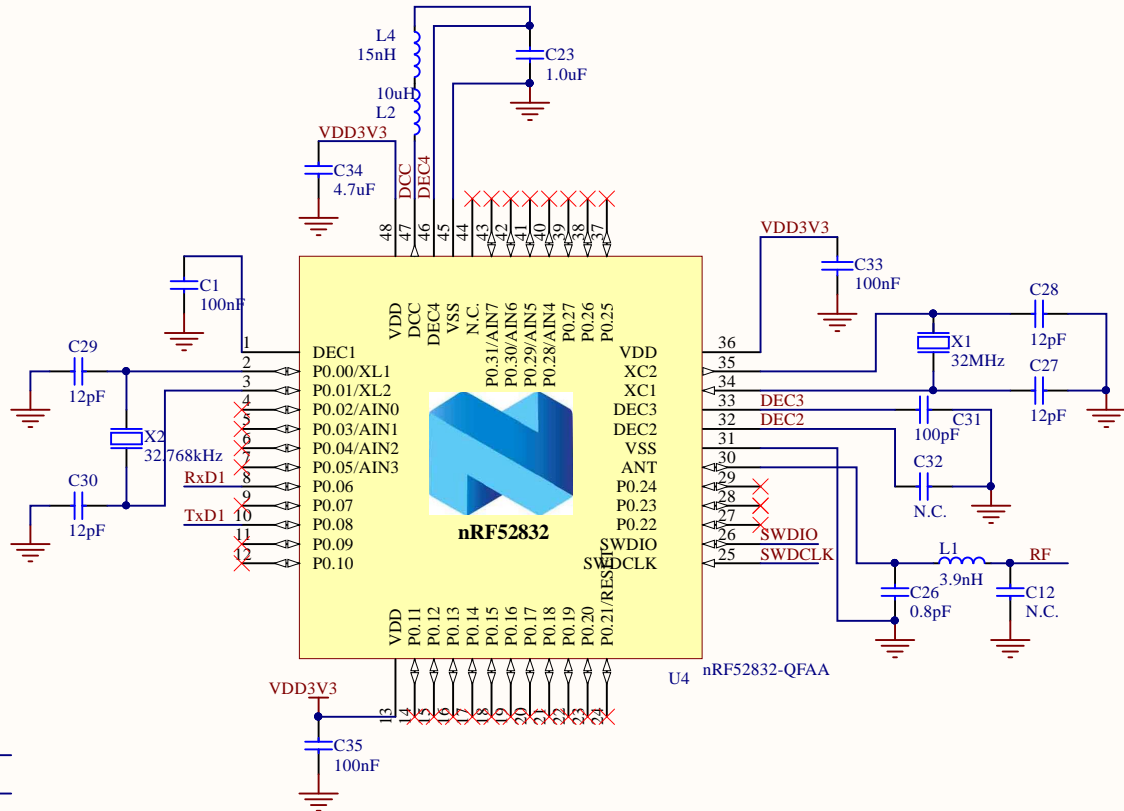
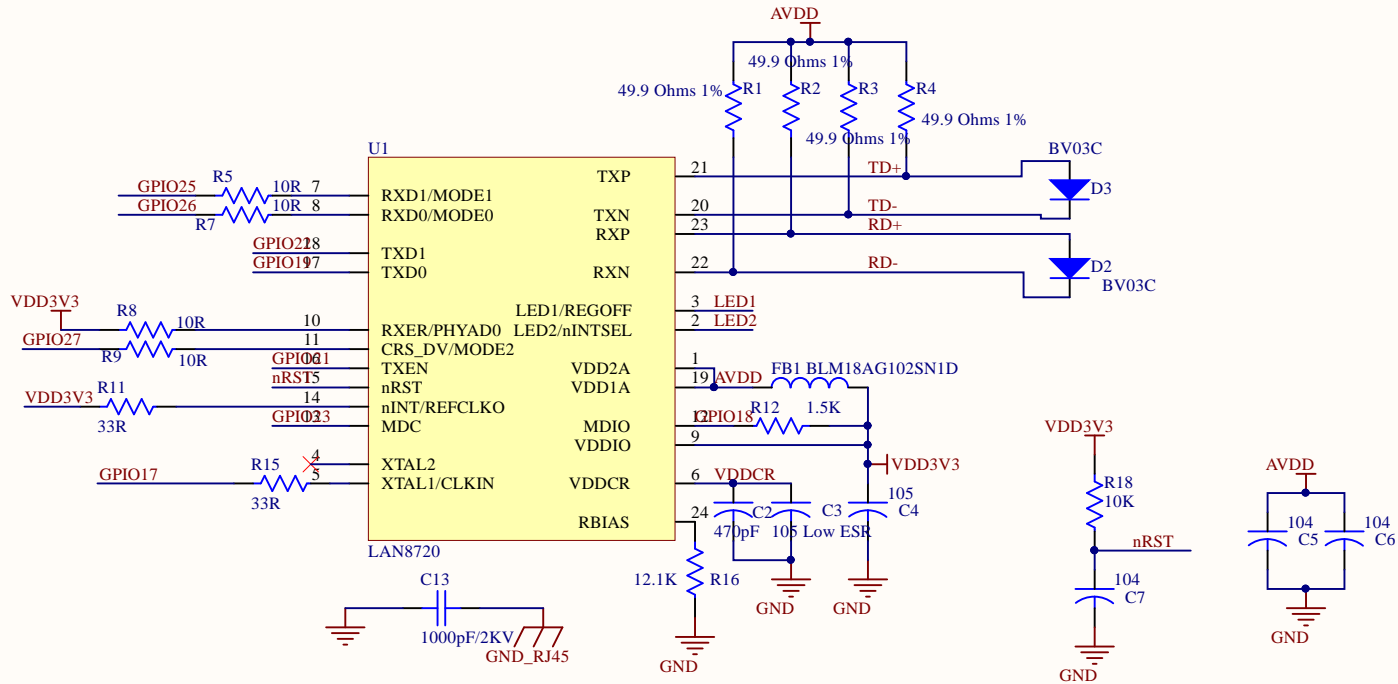
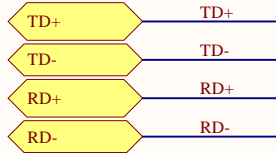
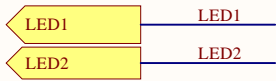
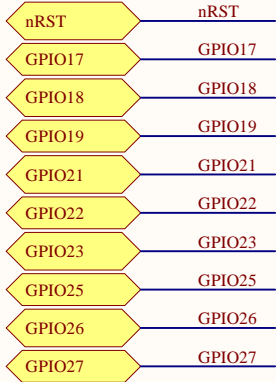
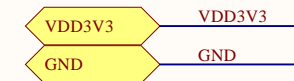


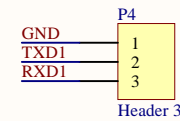
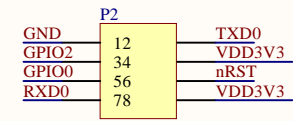
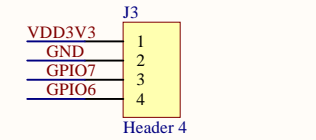
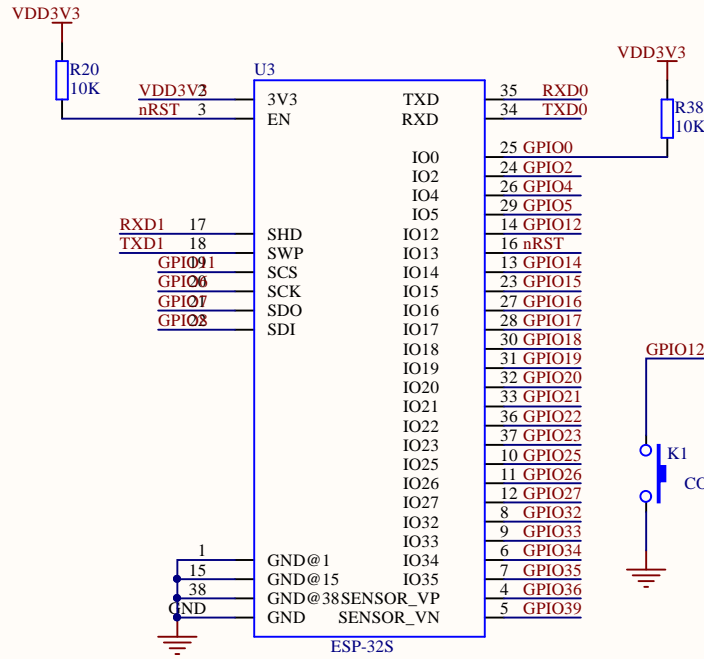
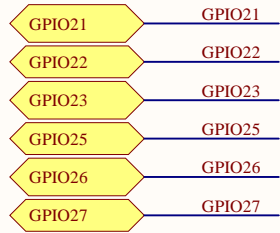
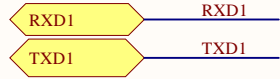
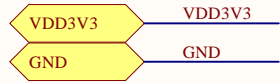
Title		
Sniffer Ethernet 4.0		
Size	Number	revision
A4		V5.1
Date:	2018/6/8	Sheet 0 of 4
File:	Sniffer ethernet 4.0 sheet 0 Sniffer.SchDoc	Drawn By: Tai



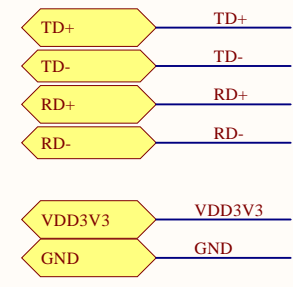
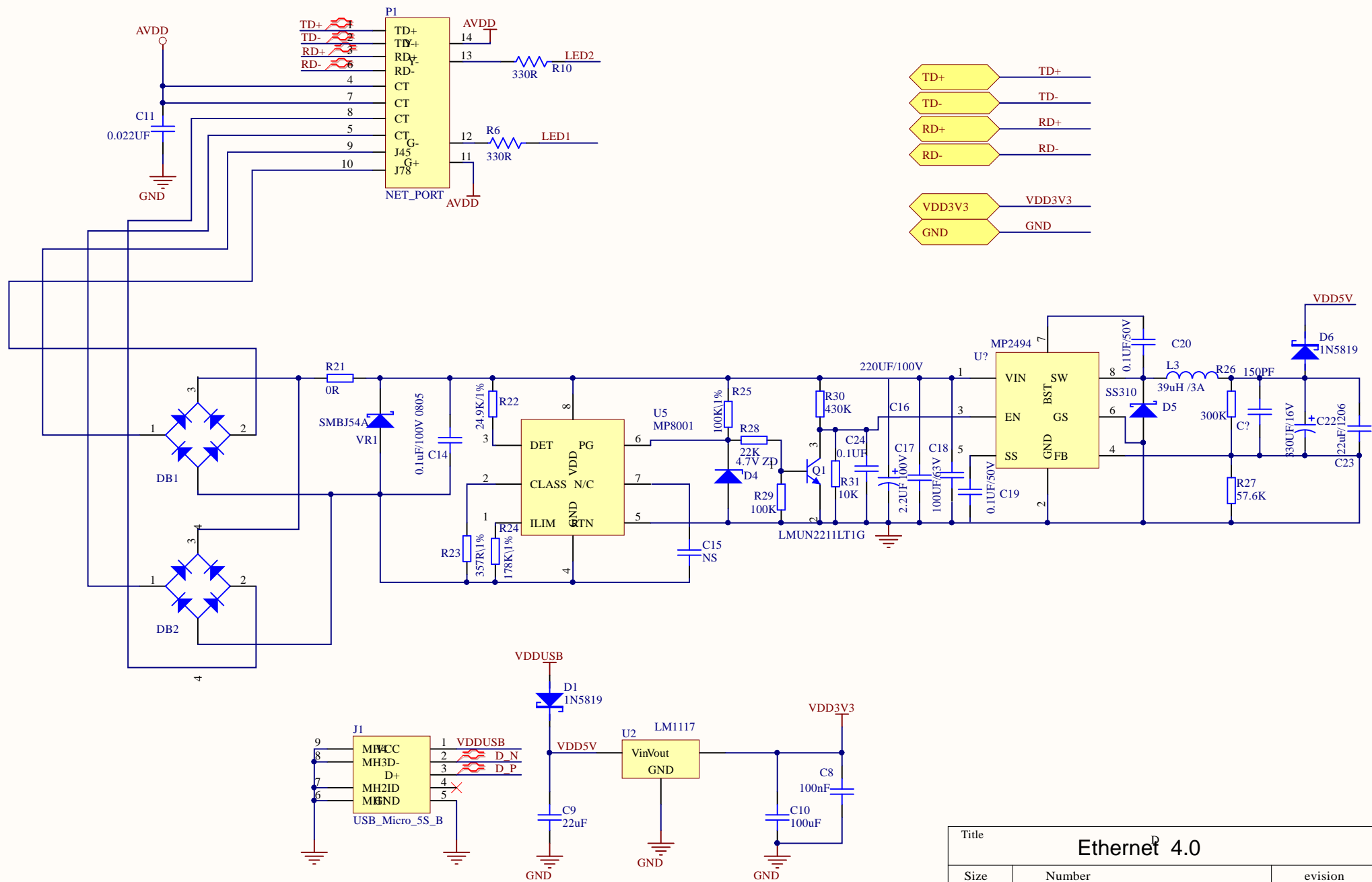
Title		
<b>Sniffer Ethernet 4.0</b>		
Size A4	Number	revision V5.1
Date:	2018/6/8	Sheet 1 of 4
File:	Sniffer ethernet 4.0 sheet 1 NRF52832.SchDoc	Drawn By: Tai



Title Sniffer Ethernet <sup>D</sup> 4.0		
Size A4	Number	revision V5.1
Date: 2018/6/8	Sheet 2 of 4	
File: Sniffer ethernet 4.0 sheet 2 LAN8720.SchDoc	Drawn By: Tai	



Title Sniffer Ethernet D4.0		
Size A4	Number	revision V5.1
Date: 2018/6/8	Sheet 3 of 4	
File: Sniffer ethernet 4.0 sheet 3 ESP32S.SchDoc	Drawn By: Tai	



Title		
Ethernet 4.0		
Size A4	Number	revision V5.1
Date:	2018/6/8	Sheet 4 of 4
File:	Sniffer ethernet 4.0 sheet 5POE.SchDoc	Drawn By: Tai